



SOT1205

plastic, single ended surface mounted package (LFPAK56D);
8 leads; 1.27 mm pitch

4 May 2018

Package information

1. Package summary

Dimensions (mm)	4.7 x 5.3 x 1.05
Terminal position code	S (single)
Package type descriptive code	LFPAK56D
Package outline version code	SOT1205
Manufacturer package code	SOT1205
Package type industry code	LFPAK56D
Package outline version description	plastic, single ended surface mounted package (LFPAK56D); 8 leads; 1.27 mm pitch
Package style descriptive code	SMS (surface-mounted single in-line)
Package body material type	P
IEC package outline code	---
JEDEC package outline code	---
JEITA package outline code	---
Handling precautions	IC26_CHAPTER_3_2000
Thermal design considerations	SC18_1999_CHAPTER_5_2
Mounting method type	S (surface mount)
Number of package outline detail graphic references	0
Reflow soldering footprint	SOT1205_fr
Major version date	12-4-2010
Minor version date	11-5-2012
Security status	COMPANY PUBLIC
Modified date	16-11-2012
Issue date	28-10-2014
Web publication date	28-11-2012
Initial web publication date	18-1-2011
Customer specific indicator	N
Maturity	Product
Package author	Nair Deepa
Package approver	Nair Deepa

Table 1. Package summary

Symbol	Parameter	Min	Typ	Nom	Max	Unit
A	seated height	1.02	-	-	1.05	mm

plastic, single ended surface mounted package (LFPAK56D); 8 leads; 1.27 mm pitch

Symbol	Parameter		Min	Typ	Nom	Max	Unit
D	package length		4.45	-	4.58	4.7	mm
E	package width		4.95	-	5.13	5.3	mm
e	nominal pitch		-	-	1.27	-	mm
n ₂	actual quantity of termination		-	-	8	-	

2. Package outline

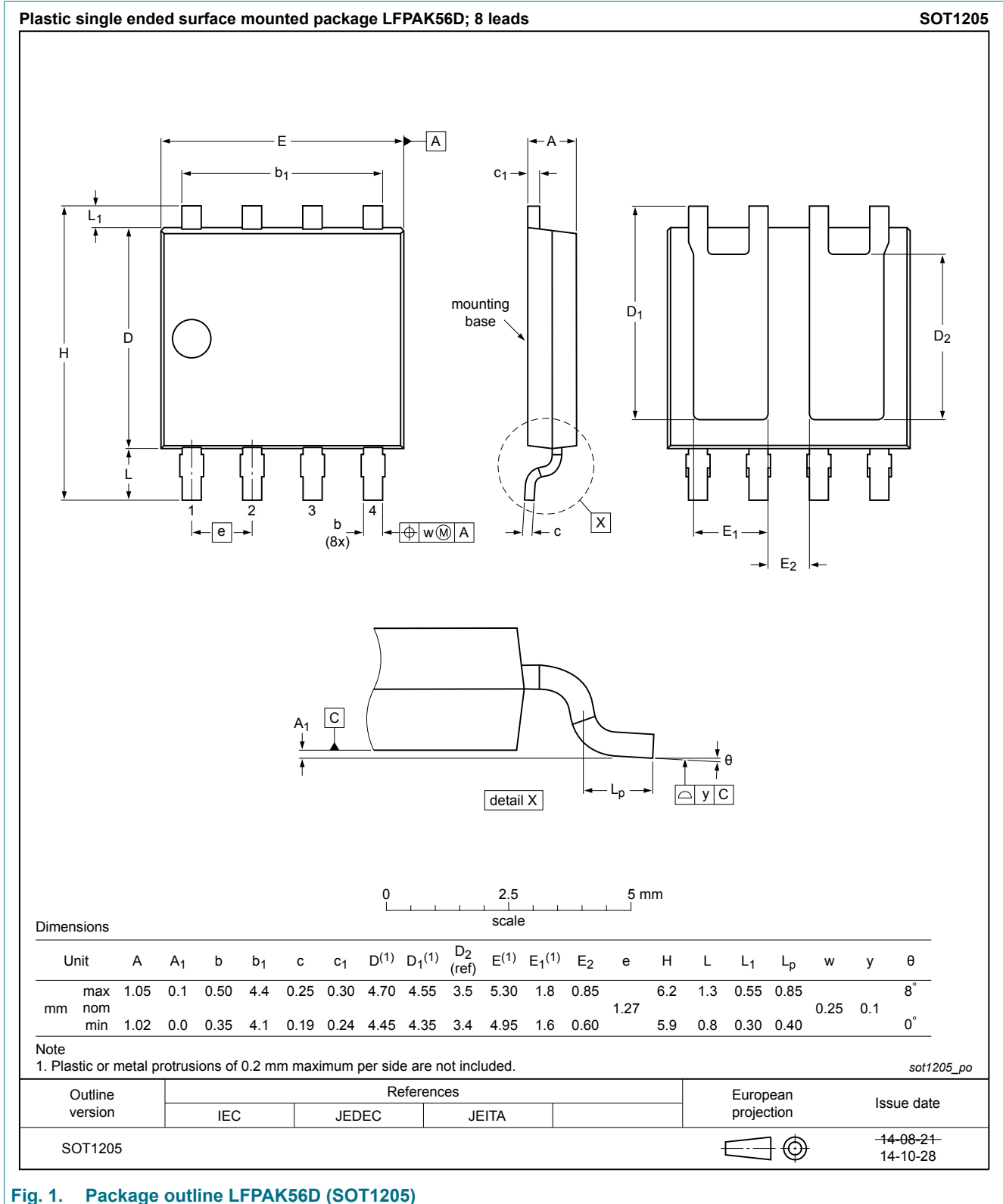


Fig. 1. Package outline LFAK56D (SOT1205)

3. Soldering

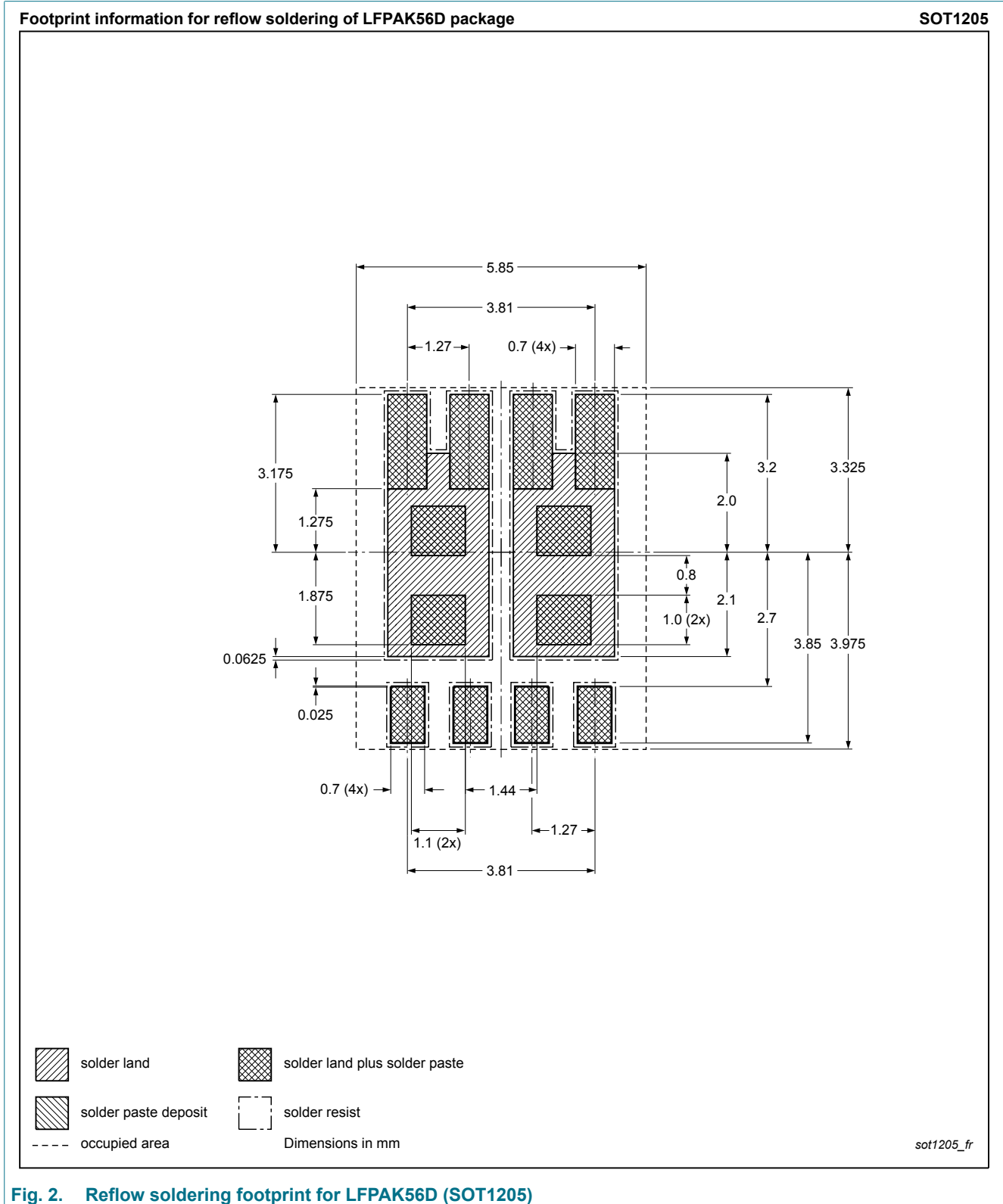


Fig. 2. Reflow soldering footprint for LFAK56D (SOT1205)

4. Legal information

Disclaimers

Limited warranty and liability — Information in this document is believed to be accurate and reliable. However, Nexperia does not give any representations or warranties, expressed or implied, as to the accuracy or completeness of such information and shall have no liability for the consequences of use of such information. Nexperia takes no responsibility for the content in this document if provided by an information source outside of Nexperia.

In no event shall Nexperia be liable for any indirect, incidental, punitive, special or consequential damages (including - without limitation - lost profits, lost savings, business interruption, costs related to the removal or replacement of any products or rework charges) whether or not such damages are based on tort (including negligence), warranty, breach of contract or any other legal theory.

Notwithstanding any damages that customer might incur for any reason whatsoever, Nexperia' aggregate and cumulative liability towards customer for the products described herein shall be limited in accordance with the *Terms and conditions of commercial sale* of Nexperia.

Right to make changes — Nexperia reserves the right to make changes to information published in this document, including without limitation specifications and product descriptions, at any time and without notice. This document supersedes and replaces all information supplied prior to the publication hereof.

5. Contents

1. Package summary.....	1
2. Package outline.....	3
3. Soldering.....	4
4. Legal information.....	5

© Nexperia B.V. 2018. All rights reserved

For more information, please visit: <http://www.nexperia.com>
For sales office addresses, please send an email to: salesaddresses@nexperia.com
Date of release: 4 May 2018
